



Jet Hybrid200

Ultra-Compact hybrid Beam-Spot 200W
LED moving head



USER MANUAL

Thank you for choosing PROLIGHTS

Please note that every PROLIGHTS product has been designed in Italy to meet quality and performance requirements for professionals and designed and manufactured for the use and application as shown in this document.

Any other use, if not expressly indicated, could compromise the good condition/operation of the product and/or be a source of danger.

This product is meant for professional use. Therefore, commercial use of this equipment is subject to the respectively applicable national accident prevention rules and regulations.

Features, specifications and appearance are subject to change without notice. Music & Lights S.r.l. and all affiliated companies disclaim liability for any injury, damage, direct or indirect loss, consequential or economic loss or any other loss occasioned by the use of, inability to use or reliance on the information contained in this document.

Product user manual can be downloaded from the website www.prolights.it, or can be inquired to the official PROLIGHTS distributors of your territory (https://www.prolights.it/sales_network.html).

Scanning the below **QR Code**, you will access the download area of the product page, where you can find a broad set of always updated technical documentation: specifications, user manual, technical drawings, photometrics, personalities, fixture firmware updates.



**Visit the download area
of the product page**



The PROLIGHTS Logo, PROLIGHTS names and all other trademark in this document pertaining to PROLIGHTS services or PROLIGHTS product are trademarks OWNED or licensed by Music & Lights S.r.l., its affiliates, and subsidiaries. PROLIGHTS is a registered trademark by Music & Lights S.r.l. All right reserved. Music & Lights – Via A. Olivetti, snc - 04026 - Minturno (LT) ITALY.

INDEX

SAFETY INFORMATION	02
1 - PACKAGING	05
PACKAGE CONTENT	05
OPTIONAL ACCESSORIES	05
2 - TECHNICAL DRAWING	05
3 - PAN AND TILT LOCK	06
4 - INSTALLATION	07
MOUNTING	07
5 - CONNECTION TO THE MAINS SUPPLY	08
6 - START UP	08
CONNECT AND DISCONNECT POWER FROM THE PRODUCT	08
7 - PRODUCT OVERVIEW	09
8 - DMX CONNECTION	10
CONNECTION OF THE CONTROL SIGNAL: DMX LINE	10
INSTRUCTIONS FOR A RELIABLE DMX CONNECTION	10
CONNECTION DAISY CHAIN	10
CONNECTION OF THE DMX LINE	10
CONSTRUCTION OF THE DMX TERMINATION	11
DMX ADDRESSING	11
9 - CONTROL PANEL	12
DISPLAY AND BUTTONS LAYOUT	12
10 - MENU STRUCTURE	13
11 - SHORTCUT	18
12 - RDM FUNCTIONS	19
13 - DMX CHARTS	21
RDM Personality ID List	21
RDM Model ID	21
14 - FIXED GOBOS WHEEL	28
15 - ROTATING GOBOS WHEEL	29
16 - COLOR WHEEL	30
17 - ERROR MESSAGES	31
18 - PERIODICAL CLEANING	34
19 - GOBOS REPLACEMENT	35
20 - FROST REPLACEMENT	36
HEAVY FROST: (CODE JH200HF - OPTIONAL)	36
21 - MODULE REMOVAL (ANIMATION, COLOR, GOBOS WHEEL)	37
22 - USB UPDATE MODE	38
UPDATE THIS FIXTURE	39
UPDATE LINKED FIXTURES - ALL FIXTURES	40
23 - MAINTENANCE	41
MAINTENANCE AND CLEANING THE PRODUCT	41
REPLACING THE FUSE	41
VISUAL CHECK OF PRODUCT HOUSING	41
RESETTING THE MAINTENANCE TIME MESSAGE	42

SAFETY INFORMATION



WARNING!

- See <https://www.prolights.it/product/JETHYB200#download> for installation instructions.
- Please read carefully the instruction reported in this section before installing, powering, operating or servicing the product and observe the indications also for its future handling.



This unit is not for household and residential use, only professional applications.



Connection to mains supply

- The Connection to the mains supply must be carried out by a qualified electrical installer.
- Use only AC supplies 100-240V 50-60 Hz, the fixture must be electrically connected to ground (earth).
- Select the cable cross section in according with the maximum current draw of the product and the possible number of products connected at the same power line.
- The AC mains power distribution circuit must be equipped with magnetic+residual current circuit breaker protection.
- Do not connect it to a dimmer system; doing so may damage the product.



Protection and Warning against electrical shock

- Do not remove any cover from the product, always disconnect the product from AC power before servicing.
- Ensure that the fixture is electrically connected to ground (earth). And use only a source of AC power that complies with local building and electrical codes and has both overload and ground-fault (earth-fault) protection.
- Before using the fixture, check that all power distribution equipment and cables are in perfect condition and rated for the current requirements of all connected devices.
- Isolate the fixture from power immediately if the power plug or any seal, cover, cable, or other components are damaged, defective, deformed or showing signs of overheating.
- Do not reapply power until repairs have been completed.
- Refer any service operation not described in this manual to PROLIGHTS Service team or an authorized PROLIGHTS service center.



Installation

- Make sure that all visible parts of the product are in good visible condition before its use or installation.
- Make sure the point of anchorage is stable before positioning the projector.
- When suspending the fixture above ground level, secure it against failure of primary attachments by attaching a safety cable that is approved as a safety attachment for the weight of the fixture to the attachment point on the main frame of the product. In case the safety cable, enter in action, it needs to be replaced with a new one.
- Install the product only in well ventilated places.
- For non temporary installations, ensure that the fixture is securely fastened to a load-bearing surface with suitable corrosion-resistant hardware.
- For a temporary installation with clamps, ensure that the quarter-turn fastener and/or screws are turned fully, and secured with a suitable safety cable.



Minimum distance of illuminated objects

- The projector needs to be positioned so that the objects hit by the beam of light are at least 1,5 meters (4,92 ft) from the lens of the projector.

T_a 45°C

Max operating ambient temperature (T_a)

- Do not operate the fixture if the ambient temperature (T_a) exceeds 45 °C (113 °F).

T_a -15°C

Minimum operating ambient temperature (T_a)

- Do not operate the fixture if the ambient temperature (T_a) is below -15 °C (5 °F).



Protection from burns and fire

- The exterior of the fixture becomes hot during use. Avoid contact by persons and materials.
- Ensure that there is free and unobstructed airflow around the fixture.
- Keep flammable materials well away from the fixture
- Do not expose the front glass to sunlight or any other strong light source from any angle. Lenses can focus the sun's rays inside the fixture, creating a potential fire hazard.
- Do not attempt to bypass thermostatic switches or fuses.



Indoor use

- This product is designed for indoor and dry environments.
- Do not use in wet location and do not expose the fixture to rain or moisture.
- Never use the fixture in places subject to vibrations or bumps.
- Make certain that no inflammable liquids, water or metal objects enter the fixture.
- Excessive dust, smoke fluid, and particle build up degrades performance, causes overheating and will damage the fixture.
- Damages caused by inadequate cleaning or maintenance are not covered by the product warranty.

T_c 58°C

Temperature of the external surface

- The surface of the fixture can reach up to 57,5 °C (135,5 °F) during operation. Avoid contact with people and materials.



Maintenance

- Warning! Disconnect the fixture from AC mains power and allow to cool for at least 10 minutes before handling.
- Only technicians who are authorized by PROLIGHTS or Authorised service partners are permitted to open the fixture.
- Users may carry out external cleaning, following the warnings and instructions provided, but any service operation not described in this manual must be referred to a qualified service technician.
- Important! Excessive dust, smoke fluid, and particle build up degrades performance, causes overheating and will damage the fixture. Damages caused by inadequate cleaning or maintenance is not covered by the product warranty.



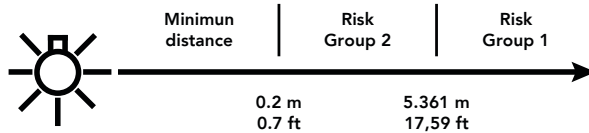
Photobiological safety

- This device emits potentially dangerous optical radiation and is identified in the category of Risk Group 2 according to EN 62471.



Do not stare at the operating light source

- Do not look directly at the LED source during operation. It can be harmful to the eyes and skin.
- During Installation, operation and maintenance, be prepared for the fixture to light and move suddenly when connected to power.
- The device should be positioned so that prolonged staring into the luminaire at a distance closer than 5.361 m (17,59 ft) is not expected.



Disposal

- This product is supplied in compliance with European Directive 2012/19/EU – Waste Electrical and Electronic Equipment (WEEE). To preserve the environment please dispose/ recycle this product at the end of its life according to the local regulation.



The product contains a lithium ion battery

- Don't throw the unit into the garbage at the end of its lifetime.
- Make sure to dispose according to your local ordinances and/or regulations, to avoid polluting the environment!
- The packaging is recyclable and can be disposed.



The products to which this manual refers comply with:

- 2014/35/EU - Safety of electrical equipment supplied at low voltage (LVD).
- 2014/30/EU - Electromagnetic Compatibility (EMC).
- 2011/65/EU - Restriction of the use of certain hazardous substances (RoHS).



Other approvals

1 - PACKAGING

PACKAGE CONTENT

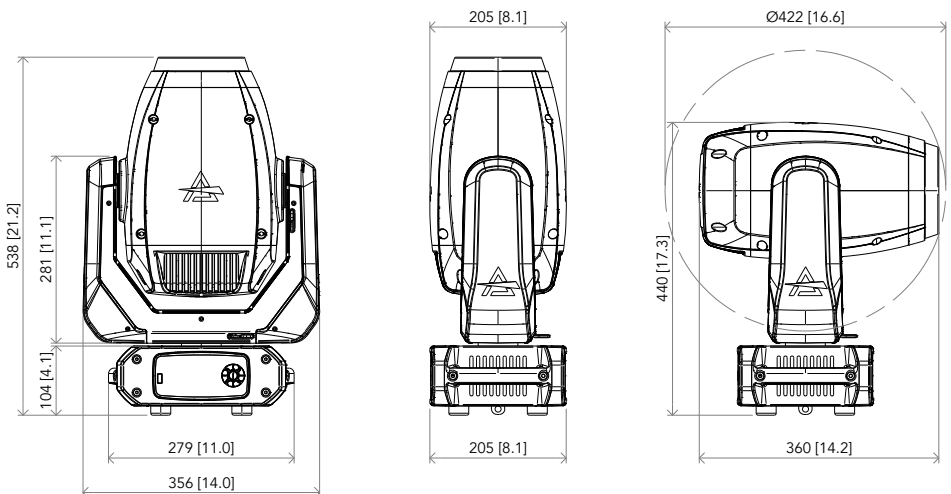
- 1x JETHYB200.
- 1x 1,5 meters power cable (BARE END - NEUTRIK POWERCON TRUE1 IP65).
- 1x OS24PLUS, Quick-lock omega bracket, M12 hole.
- User Manual.

OPTIONAL ACCESSORIES

Check the updated accessories list, description and informations of the product at the following link:

<https://www.prolights.it/product/JETHYB200#accessories>

2 - TECHNICAL DRAWING

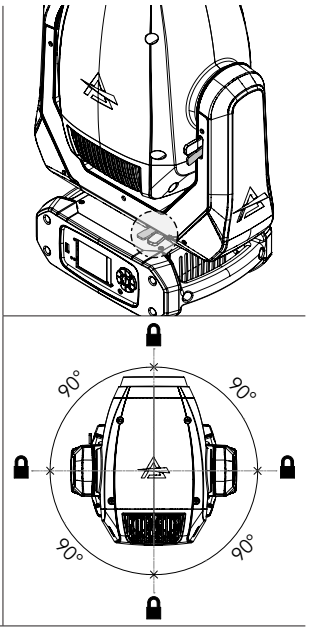
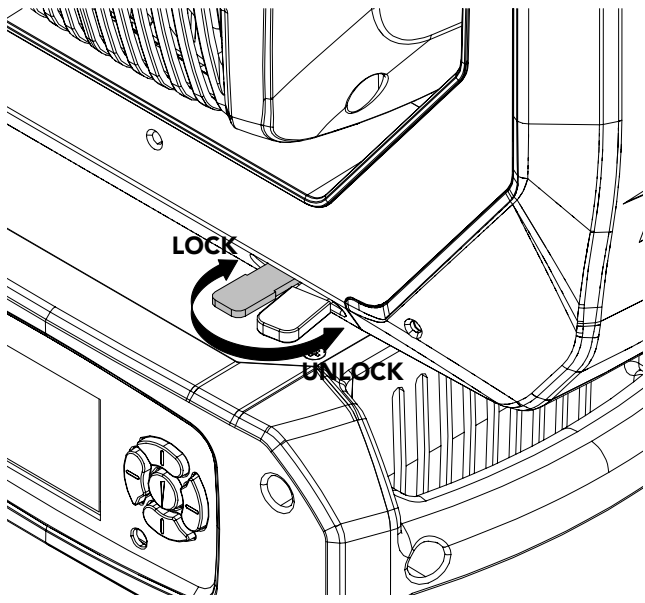


Weight: 15,3 kg - 33,73 lbs

Fig. 01

3 - PAN AND TILT LOCK

PAN Mechanism lock and release



TILT Mechanism lock and release

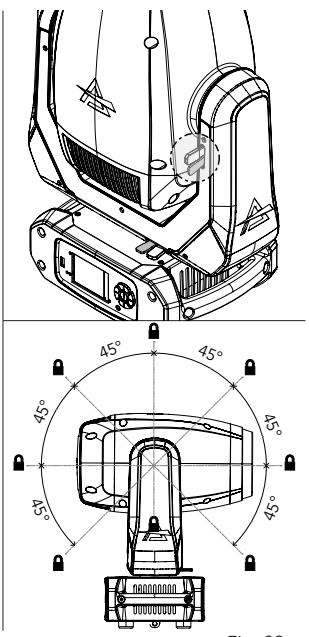
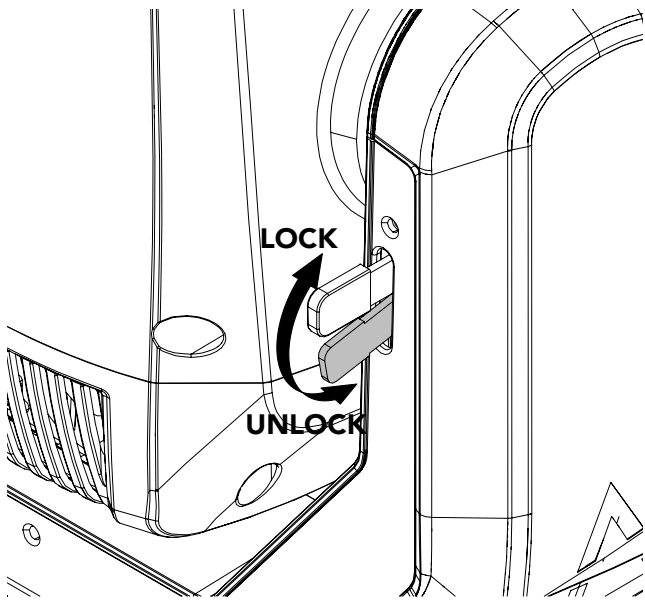


Fig. 02

4 - INSTALLATION

MOUNTING

Check that the supporting structure can safely bear the weight of all installed fixtures, clamps, cables, auxiliary equipment, etc. and complies with locally applicable regulations.

When suspending the fixture above ground level, secure it against failure of primary attachments by attaching a safety wire that is approved as a safety attachment for the weight of the fixture to an anchor point on the product main frame.

Do not use removable parts or weak anchors for secondary attachment.

Warning! When clamping the fixture to a truss or other structure at any angle, use clamps of half-coupler type. Do not use any type of clamp that does not completely encircle the structure when fastened.

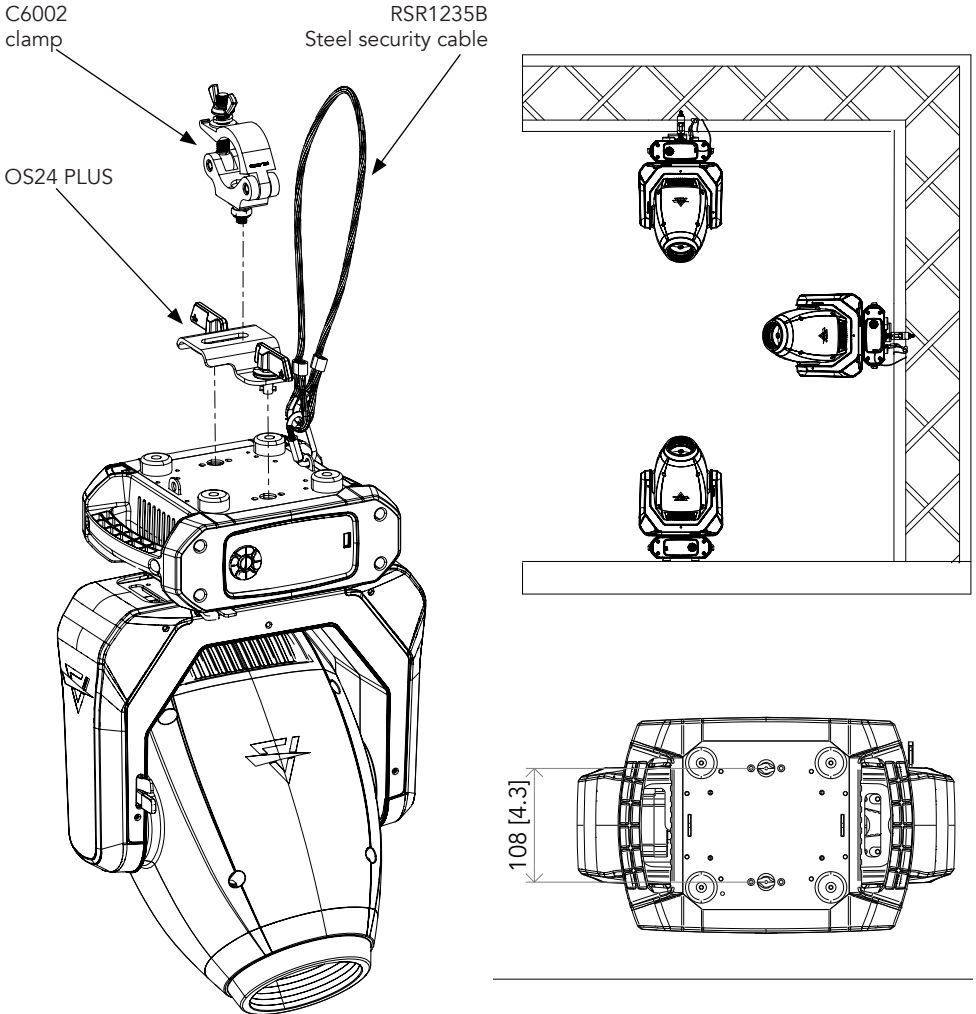


Fig.03


5 - CONNECTION TO THE MAINS SUPPLY

WARNING: For protection from electric shock, the fixture must be earthed!

The product is equipped with auto-switching power supply that automatically adjusts to any 50-60Hz AC power source from 100-240 Volts (max absolute range : 90- 264V).

If you need to install a power plug on the power cable to allow connection to power outlets, install a grounding-type (earthed) plug, following the plug manufacturer's instructions. If you have any doubts about proper installation, consult a qualified electrician.

The max power consumption is 276W.

Core (EU)	Core (US)	Connection	Plug terminal marking
Brown	Black	Live	L
Blue	White	Neutral	N
Yellow+green	Green	Earth	

6 - START UP

CONNECT AND DISCONNECT POWER FROM THE PRODUCT

To apply and disconnect power to the product:

- Check that the product is installed and secured as indicated in the Safety Informations, and that personal safety will not be put at risk when the fixture lights up.
- Connect the power connector into the Mains input socket (100-240 VAC-50/60 Hz).
- The product is then ready for its operations and can be controlled through the available input signals on board.
- To disconnect power from the product, disconnect the Mains from the socket.

7 - PRODUCT OVERVIEW

1. USB PORT for quick firmware upgrade.
2. USER INTERFACE with display and buttons for access to the control panel functions.
3. PAN Mechanism lock and release.
4. TILT Mechanism lock and release.
5. DMX IN (5-p XLR): 1 = GND, 2 = sign-, 3 = sign+, 4 N/C, 5 N/C.
6. DMX OUT (5-p XLR): 1 = GND, 2 = sign-, 3 = sign+, 4 N/C, 5 N/C.
7. MAIN FUSE HOLDER: replace a burnt-out fuse by one of the same type only (T5A 250V).
8. POWER IN: for connection to the Mains 100-240V~/50-60Hz.
9. POWER OUT: power output for connection of multiple units in series.
10. SAFETY EYES: to attach safety cable.

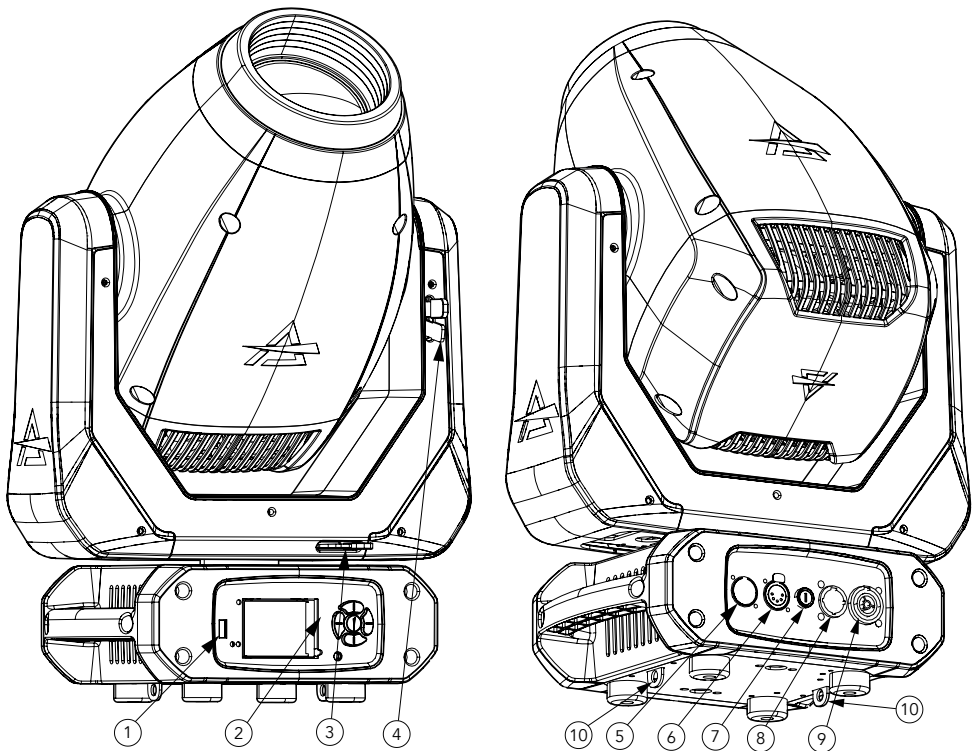


Fig 04

8 - DMX CONNECTION

CONNECTION OF THE CONTROL SIGNAL: DMX LINE

The product has XLR sockets for DMX input and output.
The default pin-out on both socket is as the following diagram:

DMX - INPUT XLR plug



- Pin1 : GND - Shield
- Pin2 : - Signal
- Pin3 : + Signal
- Pin4 : N/C
- Pin5 : N/C

DMX - OUTPUT XLR socket

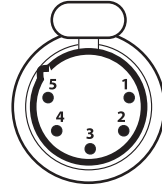


Fig. 05

INSTRUCTIONS FOR A RELIABLE DMX CONNECTION

Use shielded twisted-pair cable designed for RS-485 devices: standard microphone cable cannot transmit control data reliably over long runs. 24 AWG cable is suitable for runs up to 300 meters (1000 ft). Heavier gauge cable and/or an amplifier is recommended for longer runs.
To split the data link into branches, use splitter-amplifiers in the connection line.
Do not overload the link. Up to 32 devices may be connected on a serial link.

CONNECTION DAISY CHAIN

Connect the DMX data output from the DMX source to the product DMX input (male connector XLR) socket.
Run the data link from the product XLR output (female connector XLR) socket to the DMX input of the next fixture.
Terminate the data link by connecting a 120 Ohm signal termination. If a splitter is used, terminate each branch of the link.
Install a DMX termination plug on the last fixture on the link.

CONNECTION OF THE DMX LINE

DMX connection employs standard XLR connectors. Use shielded pair-twisted cables with 120Ω impedance and low capacity.
The following diagram shows the connection mode:

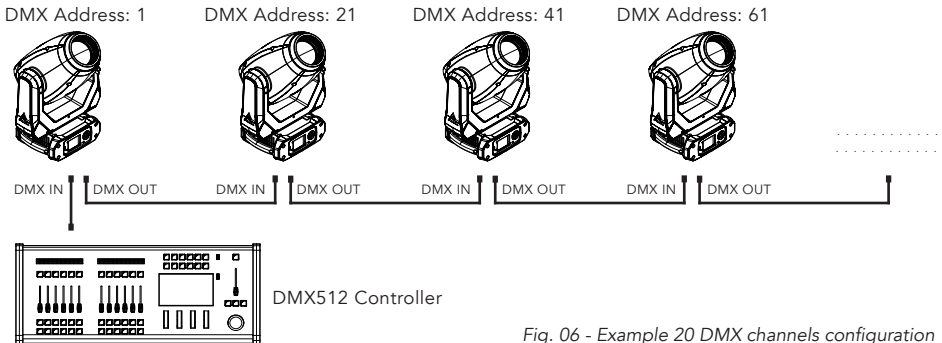


Fig. 06 - Example 20 DMX channels configuration

CONSTRUCTION OF THE DMX TERMINATION

The termination is prepared by soldering a 120Ω 1/4 W resistor between pins 2 and 3 of the male XLR connector, as shown in figure.

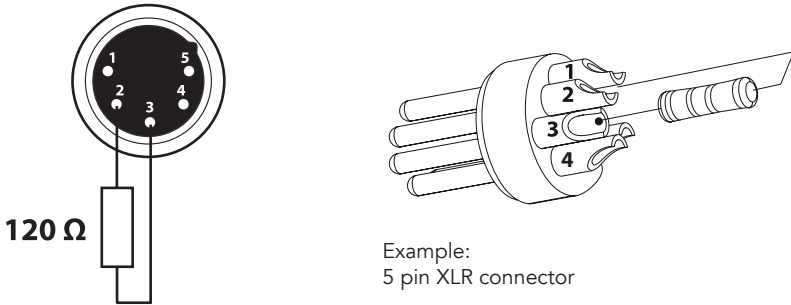


Fig. 07

DMX ADDRESSING

In order to start controlling the product via DMX, the first step is to select a DMX address, also known as the start channel, this is the first channel used to receive instructions from a DMX controller. If you wish to control the product individually, it is necessary to assign a different starting address channel to each fixture.

The number of channels occupied from the product depends on the DMX mode selected, so always verify the DMX Mode in the MENU before start addressing.

If you assign two fixtures the same address, they will be executing the same behaviour. Selecting the same address to multiple fixtures can be useful for diagnostic purposes and symmetrical control.

DMX addressing is limited to make it impossible to set the DMX address so high that you are left without enough control channels for the product.

To set the fixture's DMX address:

1. Press ENTER to open the main menu.
2. Reach the addressing menu, then select the DMX ADDRESS settings.
3. Select the address from 1 to 512 using the navigation arrows/buttons and confirm by pressing ENTER.
4. Press Menu to exit and return to the Home screen.

9 - CONTROL PANEL

The product has a display and buttons for access to the control panel functions.

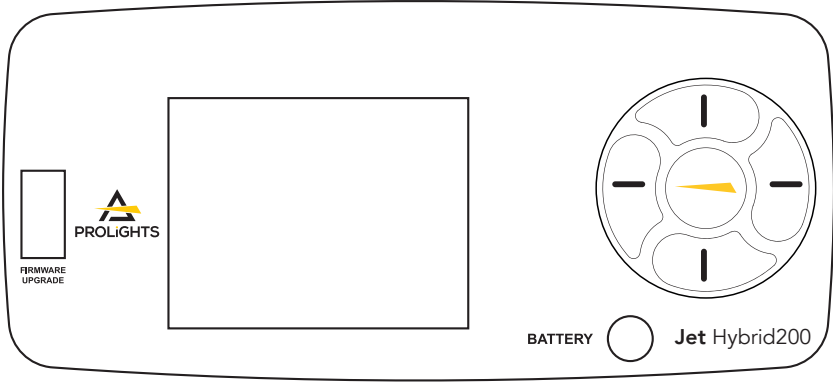


Fig. 08

DISPLAY AND BUTTONS LAYOUT

The product has a display and buttons for access to the control panel functions:

	<p>1 </p> <p>2 </p> <p>3 </p> <p>4 </p> <p>5 </p>	<ul style="list-style-type: none"> • Browse upwards through the menu list and increases the numeric value displayed. • Scroll from left to right when entering numerical values, switching between hundreds, tens and units • Browse downwards through the menu list and decreases the numeric value displayed. • Return to the top level, or scroll from right to left when entering numerical values, switching between units, tens and hundreds • Used to confirm the displayed value, or activate the displayed function or to access the menu tree or to return a previous menu window.
<p>BATTERY </p>	<ul style="list-style-type: none"> • Switch on the display using backup battery. Hold for 5s. • Switch off display by pressing button 4 for 5s while on being on Home screen. 	
<p> FIRMWARE UPGRADE</p>	<ul style="list-style-type: none"> • USB port for Firmware Upgrade. 	

10 - MENU STRUCTURE

The following chart describes the MENU tree of the product, the terms shown in **BOLD** indicates the default settings.

N°	MENU	LEVEL 1	LEVEL 2	LEVEL 3	DESCRIPTION	
1	CONNECT	ADDRESS	DMX	VALUE (1-512)	Set DMX address.	
		DMX MODE	STANDARD		Set DMX chart for Main Fixture.	
2	SETUP	SCREEN	BACKLIGHT	ON	Allows you to select the timing after that display will switch automatically off when unactive.	
				10S		
				20S		
				30S		
			FLIP DISPLAY	ON	Allows you to rotate the display by 180°.	
				OFF		
				AUTO		
			KEY LOCK	ON	Allows you lock the buttons on the control panel by a password. Press following combinations (password) in order to access to the user menu : UP, DOWN, UP, DOWN.	
				OFF		
			MOVEMENT	PAN REVERSE	ON	Allows you to reverse Pan movement.
					OFF	
				TILT REVERSE	ON	Allows you to reverse Tilt movement.
		OFF				
		PAN/TILT FEEDBACK		ON	To activate / deactivate the reading of the feedbacks given by the encoders.	
				OFF		
		MOVEMENT BLACKOUT		ON	Make fixture goes blackout OFF while moving.	
				OFF		
		PAN/TILT MODE		SLOW	To choose the horizontal/ vertical movement speed. SYNC mode will sync movement speed with the whole ASTRAWASH f mily fixtures.	
				MEDIUM		
				FAST		
		HOME POSITION		STANDARD	Standard: Pan is at 90° to the display when Pan@128dmx value like all Prolights fixtures. Custom: Pan is at 0° to the display when Pan@128dmx value.	
				CUSTOM		
		CUSTOM P DEGREE		0°	To choose pan values in case of Custom position.	
				45°		
				90°		
			135°			
			180°			
			225°			
270°						
315°						

N°	MENU	LEVEL 1	LEVEL 2	LEVEL 3	DESCRIPTION
2	SETUP		CUSTOM T DEGREE	0%	To choose tilt values in case of Custom position.
				12.5%	
				25%	
				50%	
				75%	
				87.5%	
				100%	
		FIXTURE SETTINGS	FAN MODE	AUTO	Select Fan behaviour.
				SILENT	
				HIGH	
			COLOR WHEEL BLACKOUT	ON	To set Gobo Wheel Movement in blackout mode.
				OFF	
			COLOR WHEEL MODE	STEP	To set Color Wheel Movement scrolling mode.
				COUNTINUOUS	
			GOBO WHEEL BLACKOUT	ON	To set Gobo Wheel Movement scrolling mode.
				OFF	
			GOBO WHEEL MODE	STEP	To set Gobo Wheel Movement scrolling mode.
				COUNTINUOUS	
			DMX FAULT	HOLD	To choose the behaviour of fixture in case of dmx signal lost.
				BLACKOUT	
			STATUS LED	ON	To turn the status LEDs on the front panel on or off.
				OFF	
			DIMMER CURVE	LINEAR	Select different curve behaviour of dimmer.
				S-CURVE	
				SQUARE LAW	
				INVERSE SQUARE LAW	
		DIMMER SPEED	AUTO	Linear dimmer behaviour. Dimmer curve adding long fade. Dimmer curve adding medium fade. Dimmer curve adding little fade.	
FAST					
MEDIUM					
SLOW					
LED FREQUENCY	600 HZ	4000 HZ	Select PWM frequency.		
	1200 HZ	6000 HZ			
	2000 HZ	25 KHZ			
	50 KHZ				
INVERT ZOOM	ON	Invert zoom values.			
	OFF				
TRANSFER CONFIGURATION	WITHOUT DMX ADDRESS	To transfer the same menu settings of one fixtures to all the other in the daisy chain, including or not the dmx address.			
	WITH DMX ADDRESS				

N°	MENU	LEVEL 1	LEVEL 2	LEVEL 3	DESCRIPTION	
3	ADVANCED	RESET	ALL		<i>To reset these functions.</i>	
			PAN & TILT			
			PAN			
			TILT			
			COLOR			
			ROT GOBO			
			GOBO ROT			
			FIXED GOBO			
			ZOOM			
			FOCUS			
			PRISM			
			FROST			
		CALIBRATION	PASSWORD			<i>To calibrate these functions.</i>
			PAN			
			TILT			
			COLOR			
			ROT GOBO			
			FIXED GOBO			
			PRISM			
			PRISM ROT			
			FROST			
			FOCUS			
			ZOOM			
			GOBO 1	FOCUS		
			GOBO 2	FOCUS		
			...			
			GOBO 7	FOCUS		
			GOBO 8	FOCUS		
			FIX. GOBO 1	FOCUS		
			FIX. GOBO 2	FOCUS		
			...			
			FIX. GOBO 16	FOCUS		
FIX. GOBO 17	FOCUS					
GOBO 1	INDEX					
GOBO 2	INDEX					
...						
GOBO 7	INDEX					
GOBO 8	INDEX					

N°	MENU	LEVEL 1	LEVEL 2	LEVEL 3	DESCRIPTION
3	ADVANCED	MANUAL CONTROL	CONTROL		<i>For manual control of the unit.</i>
			PAN		
			PAN FINE		
			TILT		
			TILT FINE		
			DIMMER		
			DIMMER FINE		
			SHUTTER		
			COLOR		
			ROT GOBO		
			GOBO ROT		
			GOBO ROT FINE		
			FIXED GOBO		
			PRISM		
			PRISM ROT		
			FROST		
			ZOOM		
			ZOOM FINE		
		FOCUS			
		FOCUS FINE			
		RELOAD DEFAULT	BASIC RELOAD	YES/NO	<i>Default of all parameters excepted Calibration (both User and Factory)</i>
			FACTORY RELOAD	YES/NO	<i>Default of all parameters. User Calibration parameters need to be overwritten by Factory calibration. Factory reload password: 050.</i>

N°	MENU	LEVEL 1	LEVEL 2	LEVEL 3		DESCRIPTION			
4	INFORMATION	FIXTURE TIME	FIXTURE HOURS	TOTAL	READ	To check the total working hours of the unit. Reset password: 050.			
				PARTIAL	RESET				
			CURRENT HOURS	TOTAL	RESET	To check the current working hours of the unit. Reset password: 050.			
				PARTIAL	RESET				
			SOURCE HOURS	TOTAL	READ	To see the total operating hours of the LED source. Reset password: 050.			
				PARTIAL	RESET				
			POWER ON CYCLE	TOTAL	READ	To see the power cycles of the machine. Reset password: 050.			
				PARTIAL	RESET				
			MAINTENANCE TIME	ELAPSED TIME	RESET	To choose and reset unit maintenance warning hours (Default: 500). Default: 500. Reset password: 050.			
				ALERT PERIOD	10 – 750				
			TEMPERATURE	PCB1 TEMP					To see the unit temperature.
				PCB2 TEMP					
		PCB3 TEMP							
		LED TEMP							
		DRIVE TEMP							
		PCB4 TEMP							
		PCB5 TEMP							
		FAN SPEED	BASE FAN 1					To see the speed of the fans.	
			LEFT AIR IN FAN						
			RIGHT AIR IN FAN						
			LEFT AIR OUT FAN						
			RIGHT AIR OUT FAN						
			GOBO FAN						
		CHANNEL VALUE	PAN...					To see the dmx value of those channels.	
		ERROR MESSAGE	PAN, TILT...					To see any error messages.	
		FIXTURE MODEL	XXXXXXXXXX					View informations about fixture model.	
		RDM UID	(READ)					View ID for the RDM control.	
SOFTWARE VERSION	1U01 V1.0.00...					View informations about software version.			

11 - SHORTCUT

Keys	Mode	Description
UP + DOWN after power on	Flip Display	Directly flip display without enter inside menu
DOWN then power on	Reset without pan/tilt movements	Fixture will be powered on without reset on pan/tilt movements
ENTER + UP then power on	Bootloader	Force firmware upgrade

12 - RDM FUNCTIONS

The product can communicate using RDM (Remote Device Management) protocol over a DMX512 Networks.

RDM is a bi-directional communications protocol for use in DMX512 control systems, it is the open standard for DMX512 device configuration and status monitoring.

The RDM protocol allows data packets to be inserted into a DMX512 data stream without affecting existing non-RDM equipment. It allows a console or dedicated RDM controller to send commands to and receive messages from specific fixtures.

The PIDs in the following tables are supported in the product.

Category	Parameter	Value	GET	SET
Product Information	SUPPORTED_PARAMETERS	0x0050	x	
	PARAMETER_DESCRIPTION	0x0051	x	
	DEVICE_MODEL_DESCRIPTION	0x0080	x	
	MANUFACTURER_LABEL	0x0081	x	
	DEVICE_LABEL	0x0082	x	x
	FACTORY_DEFAULTS	0x0090	x	x
	BOOT_SOFTWARE_VERSION_ID	0x00C1	x	
	BOOT_SOFTWARE_VERSION_LABEL	0x00C2	x	
DMX512 Setup	DMX_PERSONALITY	0x00E0	x	x
	DMX_PERSONALITY_DESCRIPTION	0x00E1	x	
	DMX_START_ADDRESS	0x00F0	x	x
	SLOT_INFO	0x0120	x	
	SLOT_DESCRIPTION	0x0121	x	
	DEFAULT_SLOT_VALUE	0x0122	x	
	DMX_FAIL_MODE	0x0141	x	x
	DMX_STARTUP_MODE	0x0142	x	x
Sensors	SENSOR_DEFINITION	0x0200	x	
	SENSOR_VALUE	0x0201	x	x
	RECORD_SENSORS	0x0202	x	x
Dimmer Settings	DIMMER_INFO	0x0340	x	
	CURVE	0x0343	x	x
	CURVE_DESCRIPTION	0x0344	x	x
	OUTPUT_RESPONSE_TIME	0x0345	x	x
	OUTPUT_RESPONSE_TIME_DESCRIPTION	0x0346	x	
	MODULATION_FREQUENCY	0x0347	x	x
	MODULATION_FREQUENCY_DESCRIPTION	0x0348	x	
Power/Lamp Settings	DEVICE_HOURS	0x0400	x	x
	LAMP_HOURS	0x0401	x	x
	LAMP_STRIKES	0x0402	x	x
	LAMP_STATE	0x0403	x	x
	LAMP_MODE	0x0404	x	x
	DEVICE_POWER_CYCLES	0x0405	x	x
	BURN_IN	0x0440	x	x

Category	Parameter	Value	GET	SET
<i>Display Settings</i>	DISPLAY_INVERT	0x0500	x	x
	DISPLAY_LEVEL	0x0501	x	x
<i>Configuration</i>	PAN_INVERT	0x0600	x	x
	TILT_INVERT	0x0601	x	x
	PAN_TILT_SWAP	0x0602	x	x
	REAL_TIME_CLOCK	0x0603	x	x
	LOCK_PIN	0x0640	x	x
	LOCK_STATE	0x0641	x	x
	LOCK_STATE_DESCRIPTION	0x0642	x	
<i>Control</i>	RESET_DEVICE	0x1001	x	x
	POWER_STATE	0x1010	x	x
	PERFORM_SELFTEST	0x1020	x	x
	SELF_TEST_DESCRIPTION	0x1021	x	
	CAPTURE_PRESET	0x1030	x	x
	PRESET_PLAYBACK	0x1031	x	x
	IDENTIFY_MODE	0x1040	x	x
	PRESET_INFO	0x1041	x	
	PRESET_STATUS	0x1042	x	x
	POWER_ON_SELF_TEST	0x1044	x	x

Manufacturer Specific PIDs

Parameter	PID	GET	SET	Value	Description
HOME_POSITION	0x8160	x	x	0-1	0: Standard 1: Custom

13 - DMX CHARTS

RDM Personality ID List

ID	DMX Mode	Footprint
1	STANDARD	20

RDM Model ID

0xA032

PAN/TILT POSITION RELATED TO DMX VALUES

Home position set to STANDARD

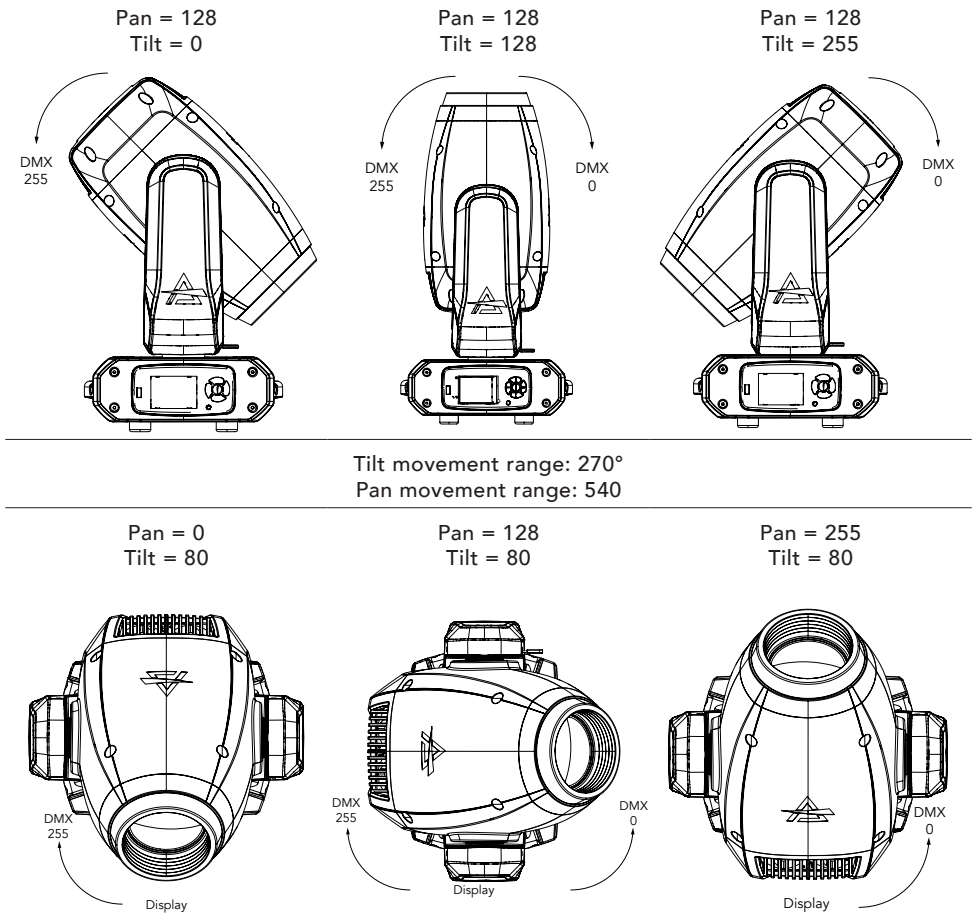


Fig. 09

DMX Chart Summary

Channel	STANDARD
1	Pan
2	Pan fine
3	Tilt
4	Tilt fine
5	Dimmer
6	Dimmer Fine
7	Shutter
8	Color Wheel
9	Rot Gobo
10	Gobo Rot
11	Gobo Rot Fine
12	Fixed Gobo
13	Prism
14	Prism Rotation
15	Frost
16	Zoom
17	Zoom Fine
18	Focus
19	Focus Fine
20	Control

Channel STANDARD	Name	Function	Min DMX	Max DMX	Default
1	Pan	Lineary from 0% to 100%	0	255	128
2	Pan fine	Lineary from 0% to 100%	0	255	128
3	Tilt	Lineary from 0% to 100%	0	255	128
4	Tilt fine	Lineary from 0% to 100%	0	255	128
5	Dimmer	Lineary from close to open	0	255	000
6	Dimmer Fine	Lineary from close to open	0	255	000
7	Shutter	Close	0	1	255
		Strobe from slow to fast	2	62	
		Open	63	64	
		Pulse in from slow to fast	65	125	
		Open	126	127	
		Pulse out from slow to fast	128	188	
		Open	189	190	
		Randon from slow to fast	191	251	
8	Color wheel	Open	0	8	000
		Open + Dark Red	9	17	
		Dark Red	18	26	
		Dark Red + Cyan	27	35	
		Cyan	36	44	
		Cyan + Yellow	45	53	
		Yellow	54	62	
		Yellow + Magenta	63	71	
		Magenta	72	80	
		Magenta + Aquamarine	81	89	
		Aquamarine	90	98	
		Aquamarine + Deep Orange	99	107	
		Deep Orange	108	116	
		Deep Orange + Forest Green	117	125	
		Forest Green	126	134	
		Forest Green + CTO 3200K	135	143	
		CTO 3200K	144	152	
		CTO 3200K + High CRI 6000K	153	161	
		High CRI 6000K	162	170	
		High CRI 6000K + Lavander	171	179	
		Lavander	180	188	
		Lavander + Deep Blue	189	197	
		Deep Blue	198	206	
		Deep Blue + Open	207	215	
		Forward Spin: from fast to slow	216	234	
Stop	235	236			
Reverse Spin: from slow to fast	237	255			

Channel STANDARD	Name	Function	Min DMX	Max DMX	Default
9	Rot Gobo	Open	0	9	000
		GOBO 1	10	19	
		GOBO 2	20	29	
		GOBO 3	30	39	
		GOBO 4	40	49	
		GOBO 5	50	59	
		GOBO 6	60	69	
		GOBO 7	70	79	
		GOBO 8	80	89	
		Forward Spin: from fast to slow	90	131	
		Stop	132	132	
		Reverse Spin: from slow to fast	133	174	
		Shake: GOBO 1 from slow to fast	175	184	
		Shake: GOBO 2 from slow to fast	185	194	
		Shake: GOBO 3 from slow to fast	195	204	
		Shake: GOBO 4 from slow to fast	205	214	
		Shake: GOBO 5 from slow to fast	215	224	
Shake: GOBO 6 from slow to fast	225	234			
Shake: GOBO 7 from slow to fast	235	244			
Shake: GOBO 8 from slow to fast	245	255			
10	Gobo Rot	Lineary from 0° to 360°	0	127	000
		Forward Spin: from fast to slow	128	190	
		Stop	191	192	
		Reverse Spin: from slow to fast	193	255	
11	Gobo Rot Fine	Lineary from 0° to 360° (Indexed)	0	255	000

Channel STANDARD	Name	Function	Min DMX	Max DMX	Default
12	Fixed Gobo	Open	0	3	000
		GOBO 1	4	7	
		GOBO 2	8	11	
		GOBO 3	12	15	
		GOBO 4	16	19	
		GOBO 5	20	23	
		GOBO 6	24	27	
		GOBO 7	28	31	
		GOBO 8	32	35	
		GOBO 9	36	39	
		GOBO 10	40	43	
		GOBO 11	44	47	
		GOBO 12	48	51	
		GOBO 13	52	55	
		GOBO 14	56	59	
		GOBO 15	60	63	
		GOBO 16	64	67	
		GOBO 17	68	71	
		Forward Spin: from fast to slow	72	128	
		Stop	129	130	
		Reverse Spin: from slow to fast	131	187	
		Shake: GOBO 1 from slow to fast	188	191	
		Shake: GOBO 2 from slow to fast	192	195	
		Shake: GOBO 3 from slow to fast	196	199	
		Shake: GOBO 4 from slow to fast	200	203	
		Shake: GOBO 5 from slow to fast	204	207	
		Shake: GOBO 6 from slow to fast	208	211	
		Shake: GOBO 7 from slow to fast	212	215	
		Shake: GOBO 8 from slow to fast	216	219	
		Shake: GOBO 9 from slow to fast	220	223	
Shake: GOBO 10 from slow to fast	224	227			
Shake: GOBO 11 from slow to fast	228	231			
Shake: GOBO 12 from slow to fast	232	235			
Shake: GOBO 13 from slow to fast	236	239			
Shake: GOBO 14 from slow to fast	240	243			
Shake: GOBO 15 from slow to fast	244	247			
Shake: GOBO 16 from slow to fast	248	251			
Shake: GOBO 17 from slow to fast	252	255			
13	Prism	Open	0	127	000
		Prism insert	128	255	
14	Prism Rotation	Lineary from 0° to 360°	0	127	000
		Forward Spin: from fast to slow	128	190	
		Stop	191	192	
		Reverse Spin: from slow to fast	193	255	
15	Frost	Lineary from 0% to 100%	0	255	000
16	Zoom	Lineary from Narrow to Wide	0	255	128
17	Zoom Fine	Lineary from Narrow to Wide	0	255	128

Channel STANDARD	Name	Function	Min DMX	Max DMX	Default
18	Focus	Lineary from Far to Near	0	255	128
19	Focus Fine	Lineary from Far to Near	0	255	128
20	Control	No Function/Safe	0	1	000
		PAN REVERSE ON	2	3	
		PAN REVERSE OFF	4	5	
		TILT REVERSE ON	6	7	
		TILT REVERSE OFF	8	9	
		PAN/TILT MODE FAST	10	11	
		PAN/TILT MODE MEDIUM	12	13	
		PAN/TILT MODE SLOW	14	15	
		MOVEMENT IN BLACKOUT ON	16	17	
		MOVEMENT IN BLACKOUT OFF	18	19	
		COLOR WHEEL BLACKOUT ON (index)	20	21	
		COLOR WHEEL BLACKOUT OFF (index)	22	23	
		ROTATING GOBO WHEEL BLACKOUT ON (index)	24	25	
		ROTATING GOBO WHEEL BLACKOUT OFF (index)	26	27	
		FIXED GOBO WHEEL BLACKOUT ON (index)	28	29	
		FIXED GOBO WHEEL BLACKOUT OFF (index)	30	31	
		COLOR WHEEL CONTINUOUS MOVEMENT (index)	32	33	
		COLOR WHEEL STEP MOVEMENT (index)	34	35	
		ROTATING GOBO WHEEL CONTINUOUS MOVEMENT (index)	36	37	
		ROTATING GOBO WHEEL STEP MOVEMENT (index)	38	39	
		FIXED GOBO WHEEL CONTINUOUS MOVEMENT (index)	40	41	
		FIXED GOBO WHEEL STEP MOVEMENT (index)	42	43	
		HOME MODE STANDARD	44	45	
		HOME MODE CUSTOM	46	47	
		DISPLAY ON	48	49	
		DISPLAY 10S	50	51	
		DISPLAY 20S	52	53	
		DISPLAY 30S	54	55	
		FLIP DISPLAY ON	56	57	
		FLIP DISPLAY OFF	58	59	
		FLIP DISPLAY AUTO	60	61	
KEY LOCK ON	62	63			
KEY LOCK OFF	64	65			
FAN MODE AUTO	66	67			
FAN MODE SILENT	68	69			
FAN MODE HIGH	70	71			
NO SIGNAL HOLD	72	73			
NO SIGNAL BLACKOUT	74	75			
Reserved	76	79			

Channel STANDARD	Name	Function	Min DMX	Max DMX	Default
20	Control	DIMMER CURVE LINEAR	80	81	000
		DIMMER CURVE S-CURVE	82	83	
		DIMMER CURVE SQUARE LAW	84	85	
		DIMMER CURVE INVERSE SQUARE LAW	86	87	
		DIMMER SPEED AUTO	88	89	
		DIMMER SPEED FAST	90	91	
		DIMMER SPEED MEDIUM	92	93	
		DIMMER SPEED SLOW	94	95	
		LED FREQUENCY 600HZ	96	97	
		LED FREQUENCY 1200HZ	98	99	
		LED FREQUENCY 2000HZ	100	101	
		LED FREQUENCY 4000HZ	102	103	
		LED FREQUENCY 6000HZ	104	105	
		LED FREQUENCY 25KHZ	106	107	
		LED FREQUENCY 50KHZ	108	109	
		INVERT ZOOM OFF	110	111	
		INVERT ZOOM ON	112	113	
		RESET ALL	114	115	
		RESET PAN/TILT	116	117	
		RESET PAN	118	119	
		RESET TILT	120	121	
		RESET COLOR	122	123	
		RESET ROTATING GOBO	124	125	
		Reserved	126	127	
		RESET FIXED GOBO	128	129	
		RESET ZOOM	130	131	
		RESET FOCUS	132	133	
		RESET PRISM	134	135	
		RESET FROST	136	137	
		RESET OTHER	138	139	
Reserved	140	253			
FACTORY DEFAULT OF CONTROL FUNCTIONS	254	255			

14 - FIXED GOBOS WHEEL

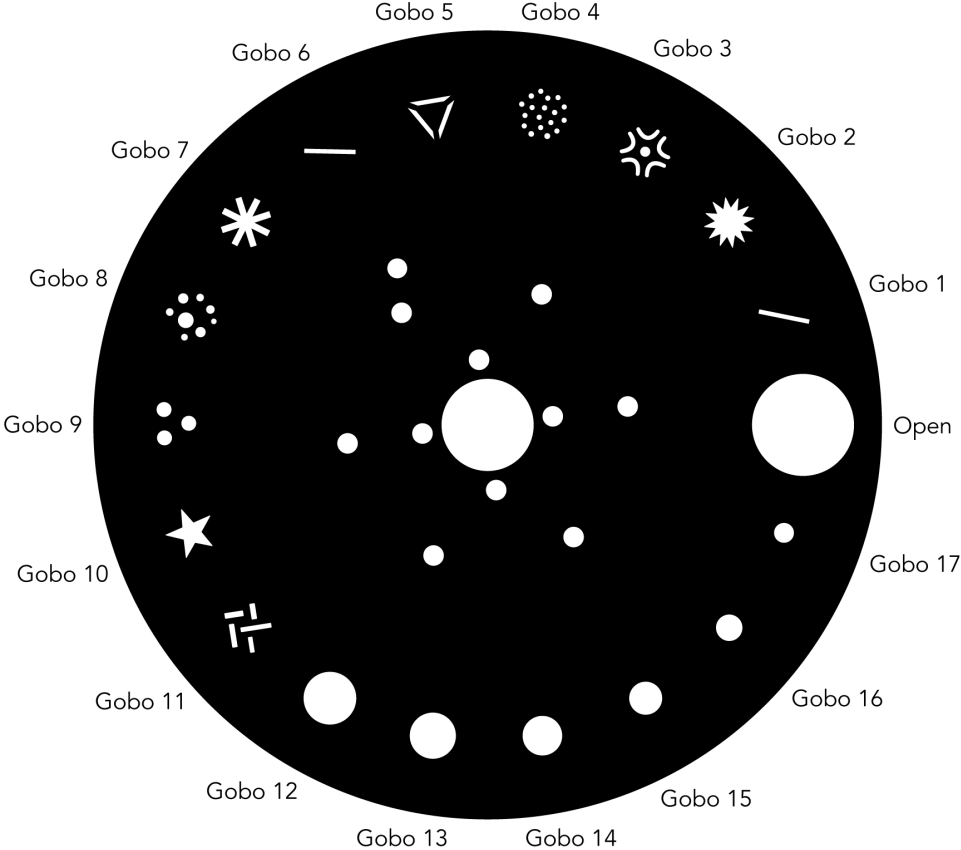
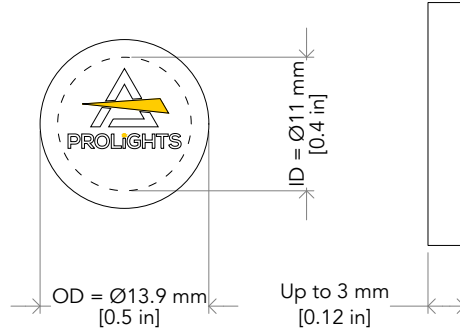


Fig. 10

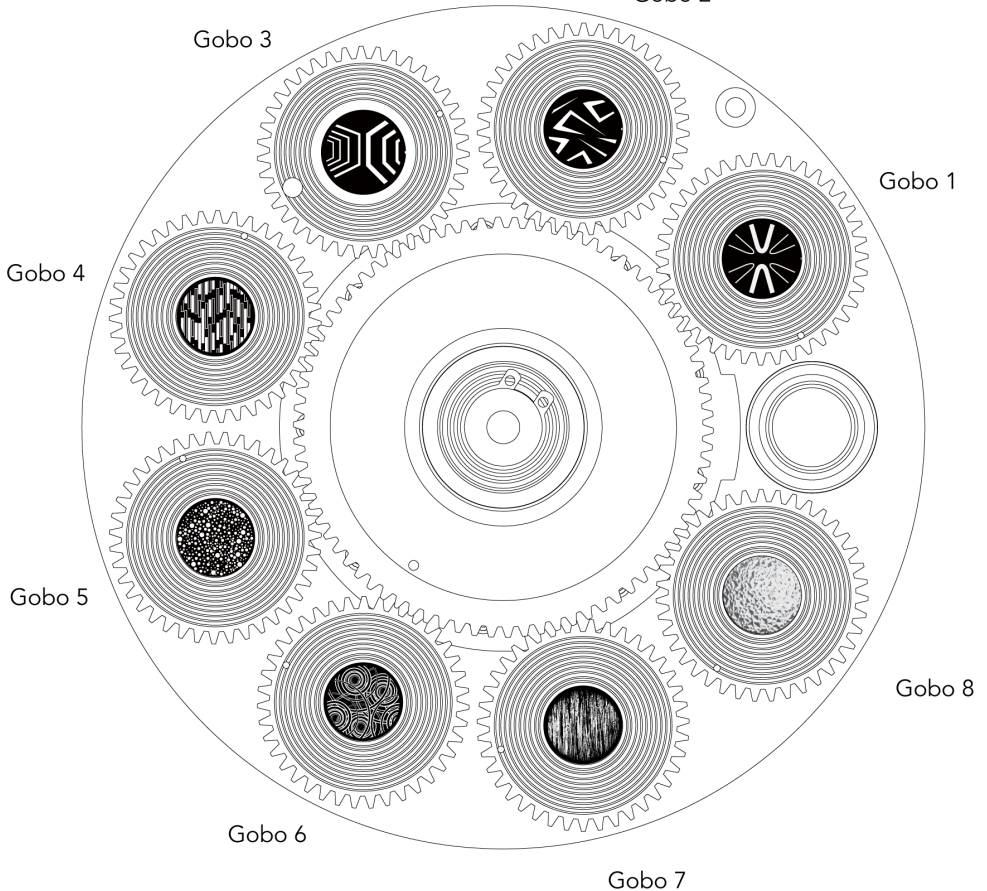
15 - ROTATING GOBOS WHEEL

Gobo dimensions:

- Type B
- \varnothing external (OD)= 13,9 mm
- \varnothing of image (ID)= 11 mm
- Thickness= up to 3 mm



Gobo 2



ATTENTION! Load with mirror surface toward the light source.

Fig. 11

16 - COLOR WHEEL



Fig. 12

17 - ERROR MESSAGES

The error is shown on the unit display. In the table below, the "ERROR SHOWED ON SCREEN" column lists the possible errors, accompanied by a possible cause ("POSSIBLE" CAUSES "column).

The color of the error messages (listed in the "COLOR MESSAGES" column) is different for each board it refers to ("PCB" column).

On page 33 you can see the location of the various pcb boards with their respective error colors.

ERROR SHOWED ON SCREEN	POSSIBLE CAUSES	POSSIBLE PCB WITH ANOMALY
[PAN/TILT PCB ERROR]	Pan tilt pcb not detected.	2U
[PAN MOTOR ERROR]	This message will appear after the reset of the product if:	2U
	the PAN magnetic-indexing circuit detect a failure (sensor failed or magnet is missing).	
	or the stepping motor is defective.	
	or its driving IC on the PCB is defective.	
[TILT MOTOR ERROR]	or the product is not located in the default position after the reset of the fixture.	2U
	This message will appear after the reset of the product if:	
	the TILT magnetic-indexing circuit detect a failure (sensor failed or magnet is missing) .	
	or the stepping motor is defective.	
[PAN SENSOR ERROR]	or its driving IC on the PCB is defective.	2U
	or the product is not located in the default position after the reset of the fixture.	
[TILT SENSOR ERROR]	Tilt sensor not detected.	2U
[FAN PCB ERROR]	Fan PCB not detected.	3U
[LED TEMP. SENSOR ERROR]	LAMP sensor damaged (open or in short circuit).	3U
[LEFT AIR IN FAN ERR.]	Air in blower for cooling the lamp failed, the lamp has been switched OFF.	3U
[RIGHT AIR OUT FAN ERR.]	Air out blower for cooling the lamp failed, the lamp has been switched OFF.	3U

ERROR SHOWN ON SCREEN	POSSIBLE CAUSES	POSSIBLE PCB WITH ANOMALY
[MOTOR PCB 2 ERROR]	Motor pcb 4U not detected.	3U - 4U
[ROTATING GOBO WHEEL ERROR]	Failure detected during the reset of the rotating gobo wheel, if this wheel is not located in the default position.	4U
[GOBO ROTATION ERROR]	Failure detected during the reset of the rotation of the rotating gobo, if the rotating gobos are not located in the default positions.	4U
[FIXED GOBO WHEEL ERROR]	Failure detected during the reset of the fixed gobo wheel, if this wheel is not located in the default position.	4U
[COLOR WHEEL ERROR]	Failure detected during the reset of the color wheel, if this wheel is not located in the default position.	4U
[GOBO FAN ERROR]	Blower for cooling the GOBO wheel failed.	4U
[MOTOR PCB 3 ERROR]	Motor pcb 5U not detected.	4U - 5U
[FOCUS ERROR]	Failure detected during the reset of the FOCUS, if the focus lens is not located in its default position.	5U
[ZOOM ERROR]	Failure detected during the reset of the ZOOM system, if the focus lens is not located in its default position.	5U
[PRISM ERROR]	Failure detected during the reset of the PRISM, if the focus lens is not located in its default position.	5U
[PRISM ROTATION ERROR]	Failure detected during the reset of the PRISM ROTATION, if the focus lens is not located in its default position.	5U
[FROST ERROR]	Failure detected during the reset of the effect FROST, if this effect is not located in the default position.	5U

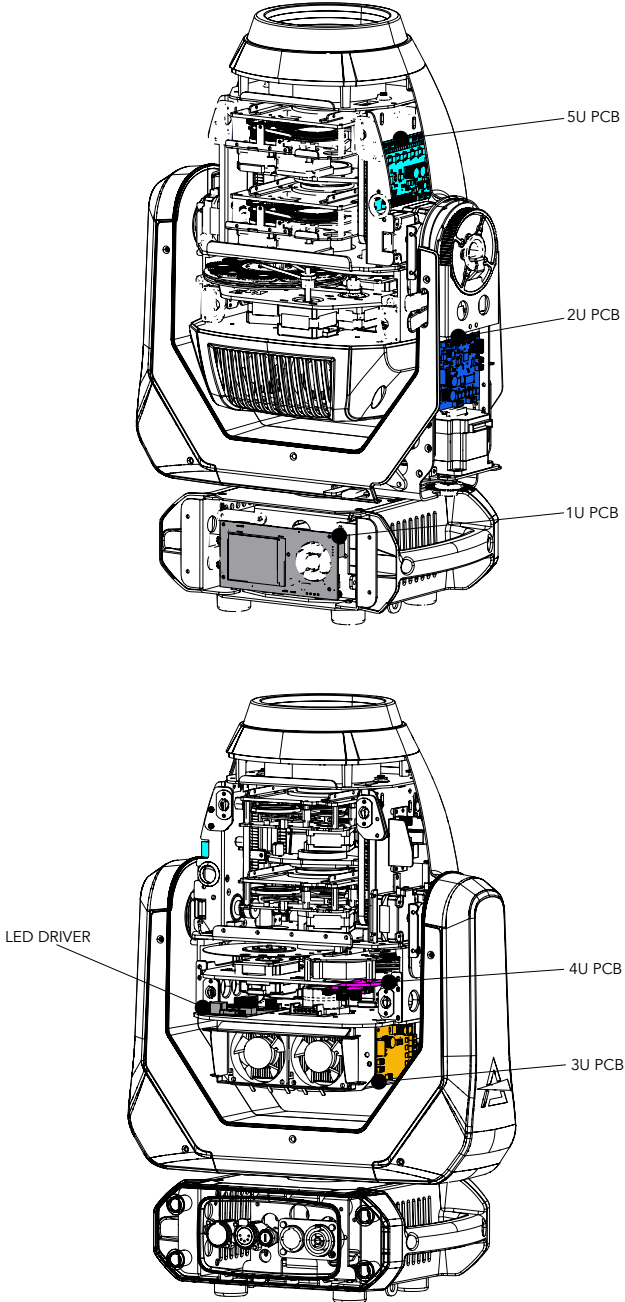
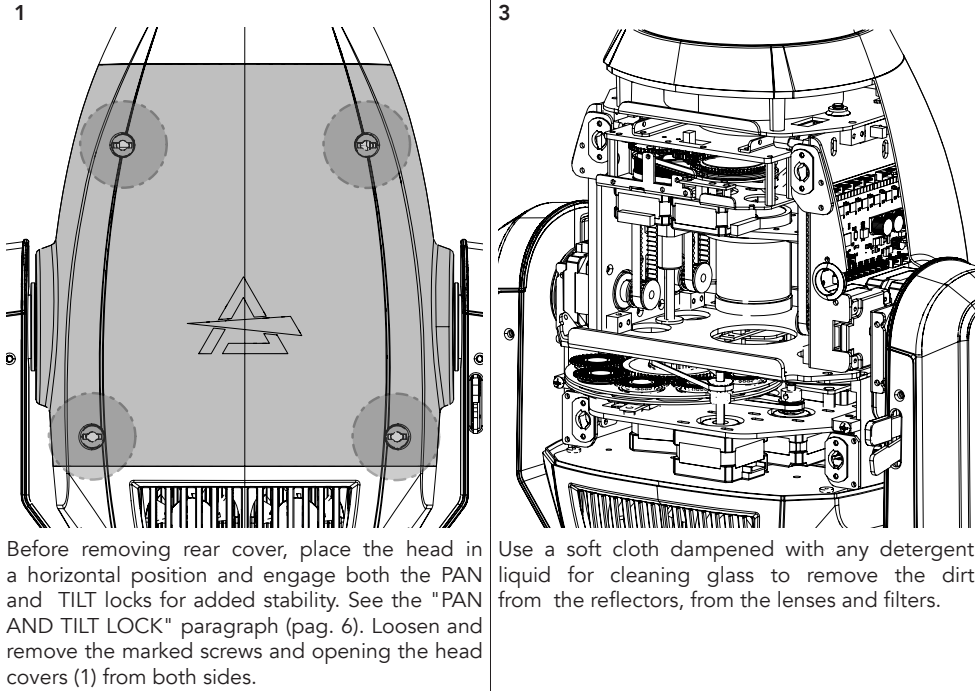


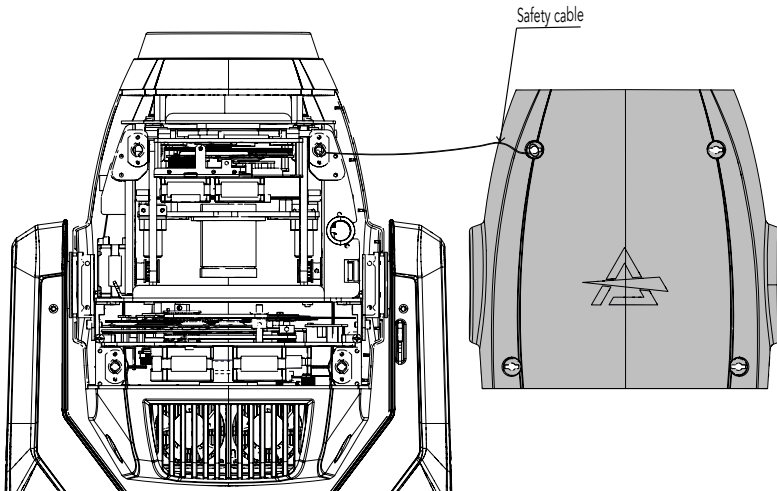
Fig. 13

18 - PERIODICAL CLEANING

WARNING! Turn OFF power and allow approximately 20 minutes for the fixture to cool down.



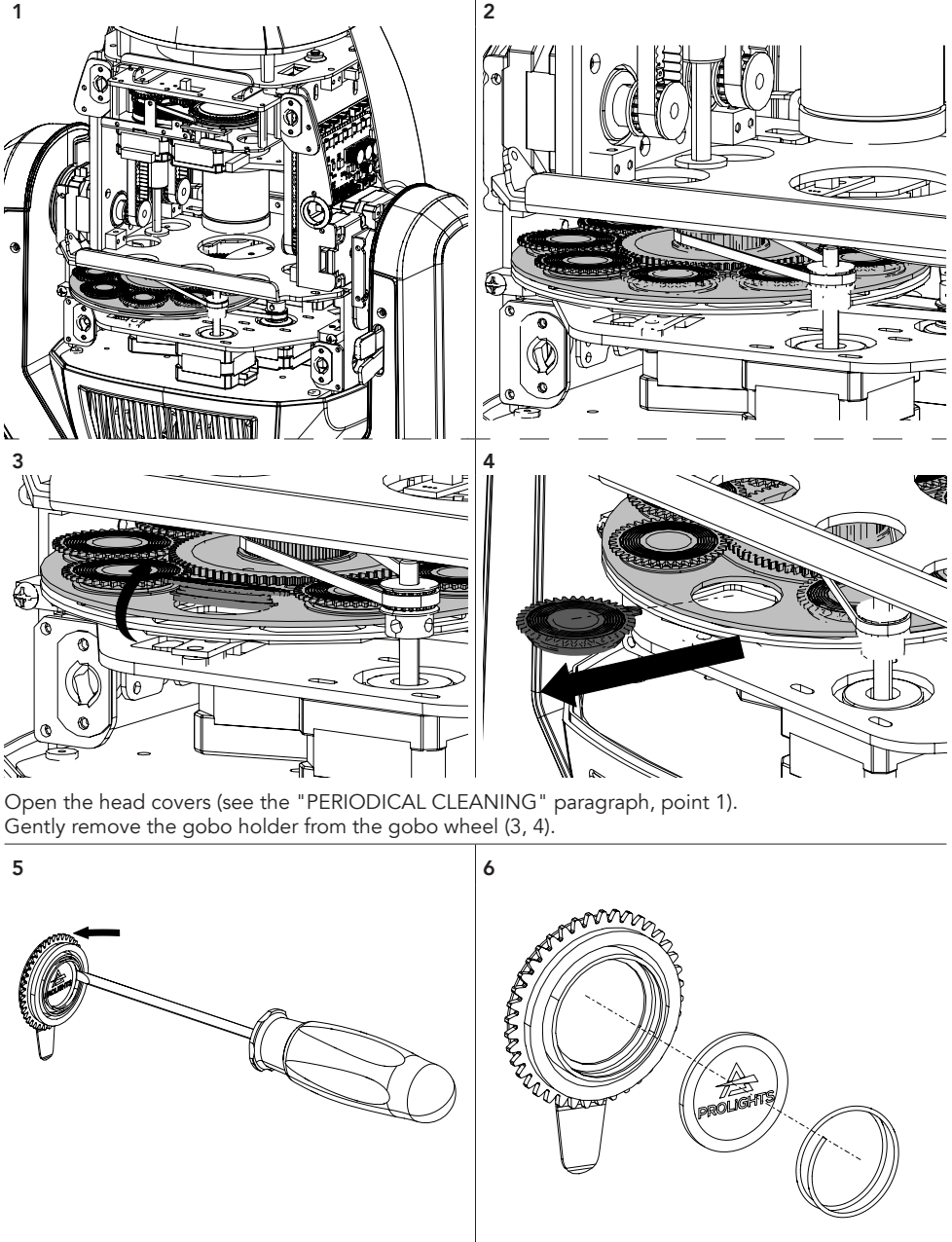
2



Unclip the safety cable on both sides (2).

Fig. 14

19 - GOBOS REPLACEMENT



Open the head covers (see the "PERIODICAL CLEANING" paragraph, point 1). Gently remove the gobo holder from the gobo wheel (3, 4).

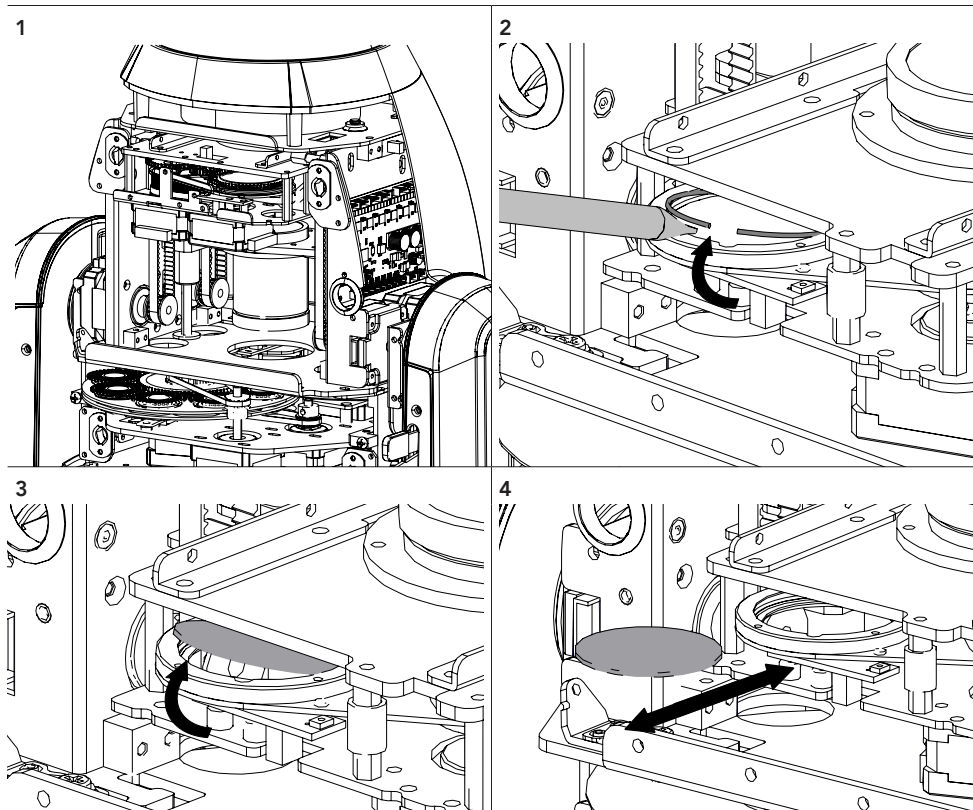
Remove the spring and the gobo (5, 6).

NOTE: the mirrored part of the gobo must be placed in the direction of the LED Source

Fig. 15

20 - FROST REPLACEMENT

HEAVY FROST: (CODE JH200HF - OPTIONAL)



Open the head covers (see the "PERIODICAL CLEANING" paragraph, point 1).

Gently remove the spring that holds the frost using a screwdriver (2).

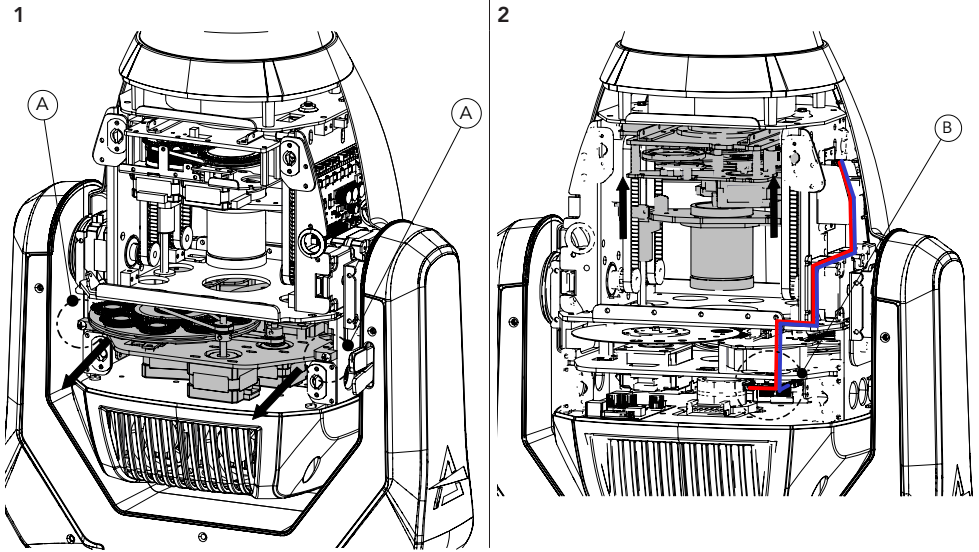
Now you can remove the frost filter from the bottom to the top (3).

Now is possible to install JH200HF optional frost (4).

NOTE: pay attention that the matte surface must be faced to the LED source.

Fig. 15

21 - MODULE REMOVAL (ANIMATION, COLOR, GOBOS WHEEL)



To remove the Animation and Gobo wheels module, open the head covers (see section "PERIODICAL CLEANING") and proceed as follows:

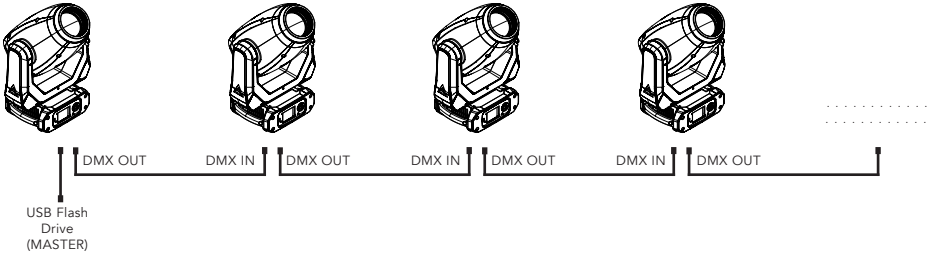
- Unscrew the two screws (marked A in drawing 1);
- Disconnect the two connectors, power and serial bus plugs (marked B in drawing 2);
- Raise the zoom and focus plates (drawing 2);
- Pull out the plate with colors wheels and rotating gobo (drawing 1);

Fig. 16

22 - USB UPDATE MODE

NOTE: It is necessary to prepare a FAT32-formatted flash drive for the update and copy the prl files onto it. It is advisable to use a flash drive that is empty and free of other files to facilitate the update.

Several machines can be upgraded simultaneously on the same DMX line. Necessarily there must be a master machine to which you connect the drive and all other machines must be connected to its output DMX line.



To update the device, proceed as follows:

1

SELECT UPDATE FILE	
Path:	
\FOLDER 1	
\FOLDER 2	
\FOLDER 3	
BACK	NEXT

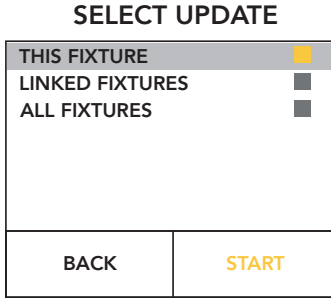
2

SELECT UPDATE FILE	
Path: FOLDER 2	
1U1.PRL	■
2U1.PRL	■
3U1.PRL	■
4U1.PRL	■
5U1.PRL	■
6U1.PRL	■
BACK	NEXT

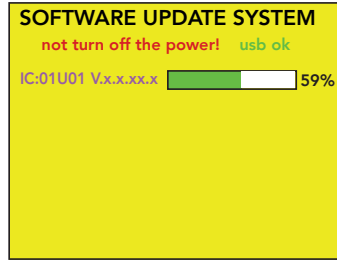
- With the machine turned on, insert the USB drive;
- A screen will appear showing the files and folders on the USB stick, so use the UP and DOWN buttons to go to the directory with the update files and press ENTER (figure 1). To return to the previous path press the LEFT button;
- Select the files to be updated. To select the desired files, move with the UP and DOWN buttons and select the file by pressing ENTER (Figure 2);
- The selected files will be shown with a yellow square, select "NEXT" pressing RIGHT button, then press ENTER to confirm. (Figure 2)

UPDATE THIS FIXTURE

1



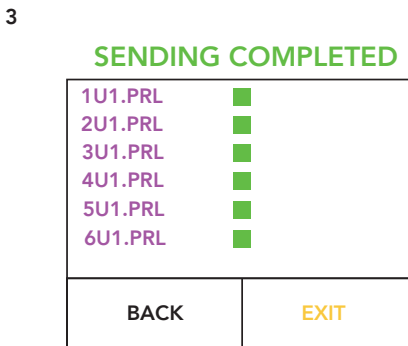
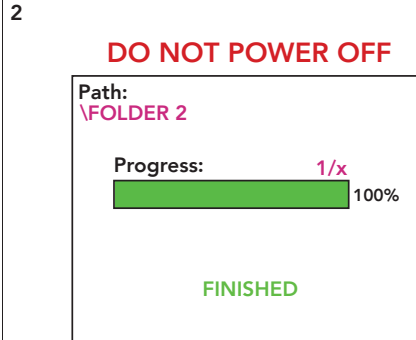
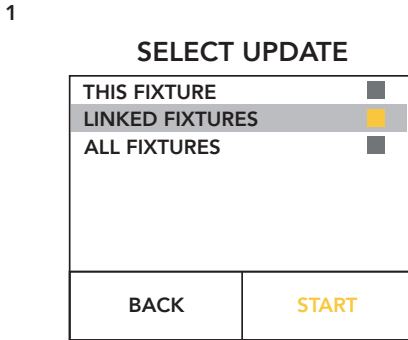
2



- To update only the Master Fixture, press ENTER on "THIS FIXTURE", a yellow square will be shown, select "START" pressing RIGHT button, then press ENTER to confirm. (Figure 1);
- A screen with the progress of the update will appear (Figure 2), once update is completed the fixture will restart automatically and the update will be completed.

UPDATE LINKED FIXTURES - ALL FIXTURES

It is possible to update several Prolights fixtures from the Astra and Jet series at the same time.



- To update only the Linked Fixtures, press ENTER on "LINKED FIXTURES", a yellow square will be shown, select "START" pressing RIGHT button, then press ENTER to confirm. (Figure 1);
- A screen will appear showing the progress of the update (Figure 2), once update is completed press ENTER;
- A screen with the summary of the updates will appear (Figure 3), select "EXIT" pressing RIGHT button to exit from the update menu; Select "BACK" pressing LEFT button to return to the update menu; then press ENTER to confirm your choice;
- Once you have selected EXIT (Figure 3), remove the USB drive as shown in the last screen (Figure 4) and the update menu will close automatically.

NOTE: To update *all fixtures* (Master and Linked) the procedure is the same of updating linked fixtures, once the progress of the update is completed, press ENTER (Figure 2) and the update of the master fixture will start.

23 - MAINTENANCE

MAINTENANCE AND CLEANING THE PRODUCT

WARNING: Disconnect from the mains before starting any maintenance work

It is recommended to clean the front at regular intervals, from impurities caused by dust, smoke, or other particles to ensure that the light is radiated at maximum brightness.

- For cleaning, disconnect the main plug from the socket. Use a soft, clean cloth moistened with a mild detergent. Then carefully wipe the part dry. For cleaning other housing parts use only a soft, clean cloth. Never use a liquid, it might penetrate the unit and cause damage to it.
- The user must clean the product periodically to maintain optimum performance and cooling. The user may also upload firmware (product software) to the fixture via the DMX signal input port or USB port using firmware and instructions from PROLIGHTS.
- The frequency of such maintenance operations is to be performed according to various factors, such as the amount of the use and the condition of the installation environment (air humidity, presence of dust, salinity, etc.). It is recommended that the product is subject to annual service by a qualified technician for special maintenance involving at least the following procedures:
 - General cleaning of internal parts.
 - For all the parts subject to friction, using lubricants specifically supplied by PROLIGHTS.
 - General visual check of the internal components, cabling, mechanical parts, etc.
 - Electrical, photometric and functional checks; eventual repairs.
 - Cleaning the lenses. Only use neutral soap and water to clean the lenses, then dry it carefully with a soft, non-abrasive cloth.

WARNING: the use of alcohol or any other detergent could damage the lenses.

- All other service operations on the product must be carried out by PROLIGHTS, its approved service agents or trained and qualified personnel.
- It is PROLIGHTS policy to apply the strictest possible calibration procedures and use the best quality materials available to ensure optimum performance and the longest possible component lifetimes. However, optical components are subject to wear and tear over the life of the product, resulting in gradual changes in colours over many thousands of hours of use. The extent of wear and tear depends heavily on operating conditions and environment, so it is impossible to specify precisely whether and to what extent performance will be affected. However, you may eventually need to replace optical components if their characteristics are affected by wear and tear after an extended period of use and if you require fixtures to perform within very precise optical and colour parameters.
- Do not apply filters, lenses or other materials on lenses or other optical components. Use only accessories approved by PROLIGHTS.

REPLACING THE FUSE

WARNING: Before replacing the fuse, unplug the product from the mains.

- Remove the old fuse from the housing with a suitable screwdriver (anticlockwise) and replace it with one of the same type and of the same classification (T5A 250V).

VISUAL CHECK OF PRODUCT HOUSING

- The parts of the product cover/housing should be checked for eventual damages and breaking start at least every two months. In addition, especially the parts of the front lens holder have to be checked mechanically (by means of movement by the part) if it is firmly fastened to the fixture. If hint of a crack is found on some plastic part, do not use the product until the damaged part will be replaced.
- Cracks or another damages of the cover/housing parts can be caused by the product transportation or manipulation and also ageing process may influence materials.
- This checking is necessary for both fixed installations and preparing product for renting. Any free moving parts inside of the product, cracked cover/housing or any part of front lens not sitting properly in place need to be immediately replaced.


RESETTING THE MAINTENANCE TIME MESSAGE

When the machine shows the message "MAINTENANCE TIME" it means that the fixture needs an overall check. once you have checked and cleaned the whole machine to reset the message follow the steps below:

- enter the menu, go to INFORMATIONS and press Enter
- go to FIXTURE TIME and press Enter
- finally go to MAINTENANCE TIME and press Enter
- Press enter again and enter the password 050 to reset the message.

Problems	Possible causes	Checks and remedies
Product doesn't power ON	• No power to the product	• Check that power is switched ON and cables are plugged in.
	• Fuse blown or internal fault	• Check if the Fuse is intact and eventually replace it if necessary. • Contact the PROLIGHTS Service or authorized service partner. Do not remove parts and/or covers, or carry out any repairs or service that are not described in this Safety and User Manual unless you have both authorization from PROLIGHTS and the service documentation.
Product reset correctly but does not respond correctly to the controller.	• Bad signal connection	• Inspect connections and cables. Fix eventual bad connections. Repair or replace damaged cables.
	• Signal connection not terminated	• Insert DMX termination plug in signal output socket of the last product on the signal line.
	• Incorrect addressing of the product	• Check the product address and control settings
	• One of the product is defective and is corrupting the signal transmission on the signal line	• Unplug the XLR in and out connectors and connect them directly together to bypass one product at a time until normal operation is regained. Once found the error, have that fixture serviced by a qualified technician.
Timeout error after fixture reset.	• One or more hardware components requires mechanical adjustments	• Check product stored error messages for more information. Contact PROLIGHTS Service or an authorized service partner.
Mechanical effect loses position	• Mechanical hardware require cleaning, adjustment or lubrication	• Check product stored error messages for more information. Contact PROLIGHTS Service or an authorized service partner.
Light output turn OFF Intermittently	• Fixture is too hot	• Check product stored error messages. • Allow product to cool. • Clean the product and airflow filters. • Reduce ambient temperature.
	• Hardware failure (temperature sensor, fans, Light source...)	• Check product stored error messages for more information. Contact. PROLIGHTS Service or an authorized service partner.
General low light intensity	• Dirty lens assembly • Dirty or damaged filters	• Clean the fixture regularly. • Install lens assembly properly.

Contact an authorized service center in case of technical problems or not reported in the table can not be resolved by the procedure given in the table.



PROLIGHTS is a trademark of
MUSIC & LIGHTS S.r.l.
musiclights.it

Via A.Olivetti snc
04026 - Minturno (LT) ITALY
Tel: +39 0771 72190

prolights.it
support@prolights.it